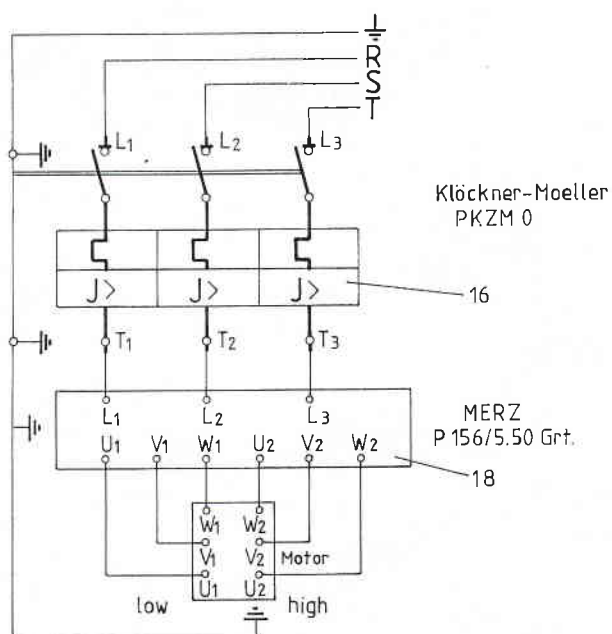
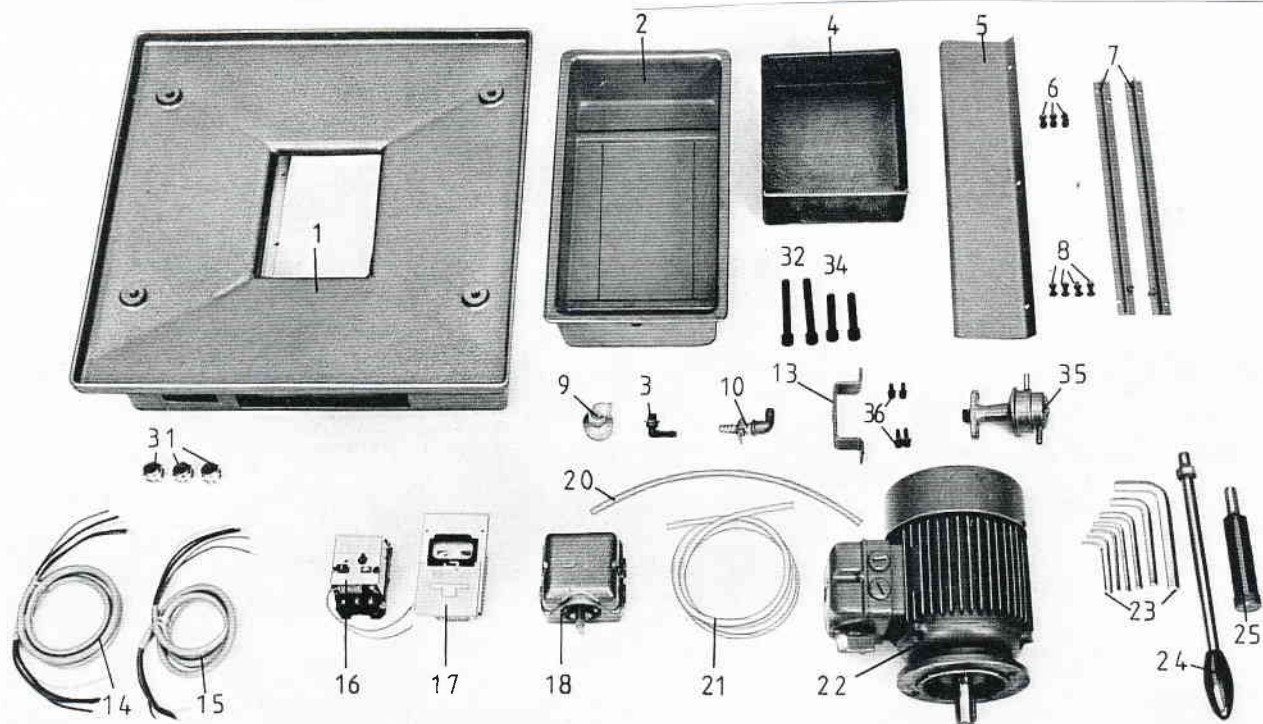
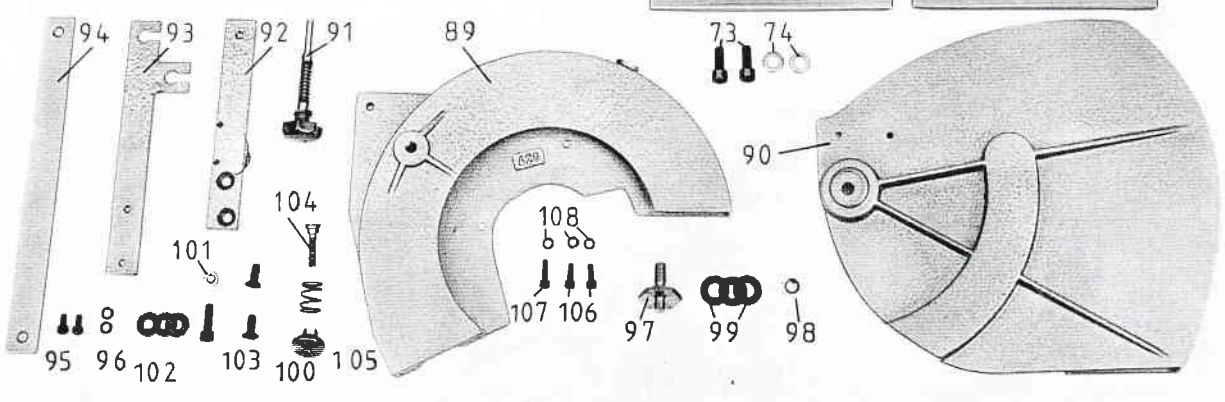
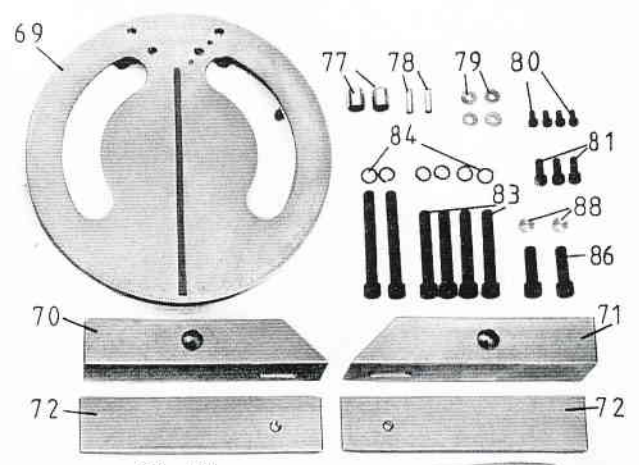
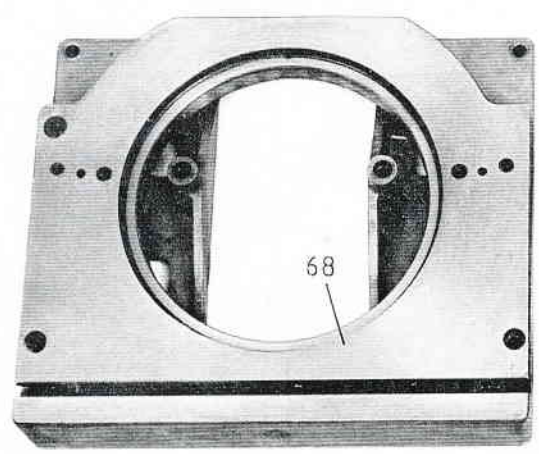
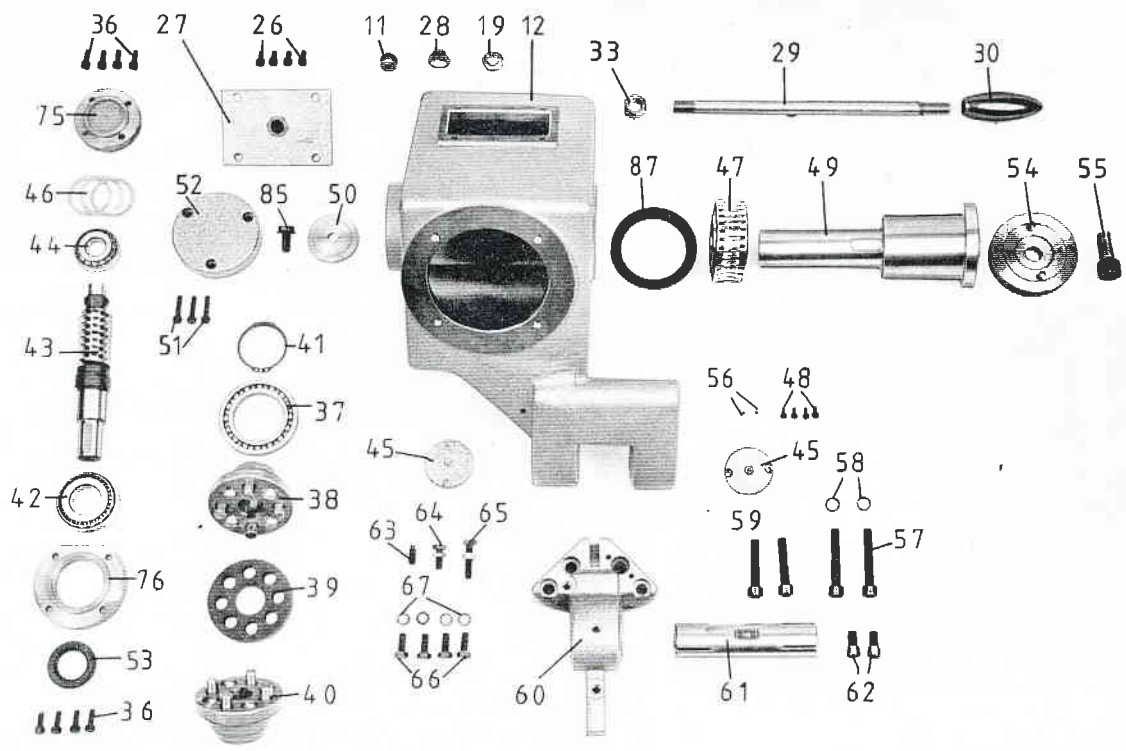
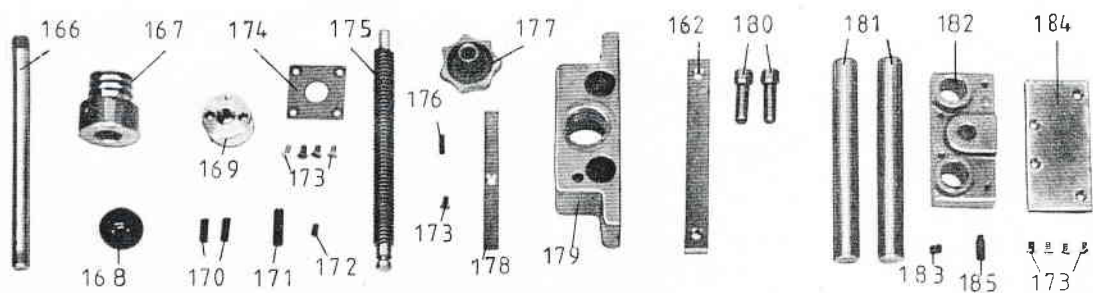
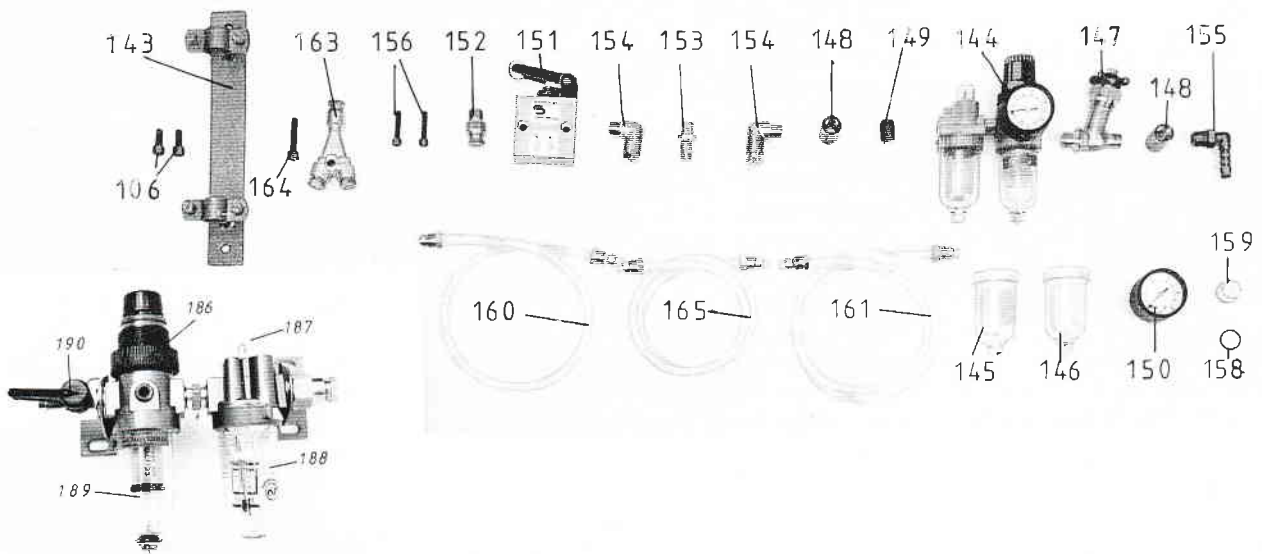
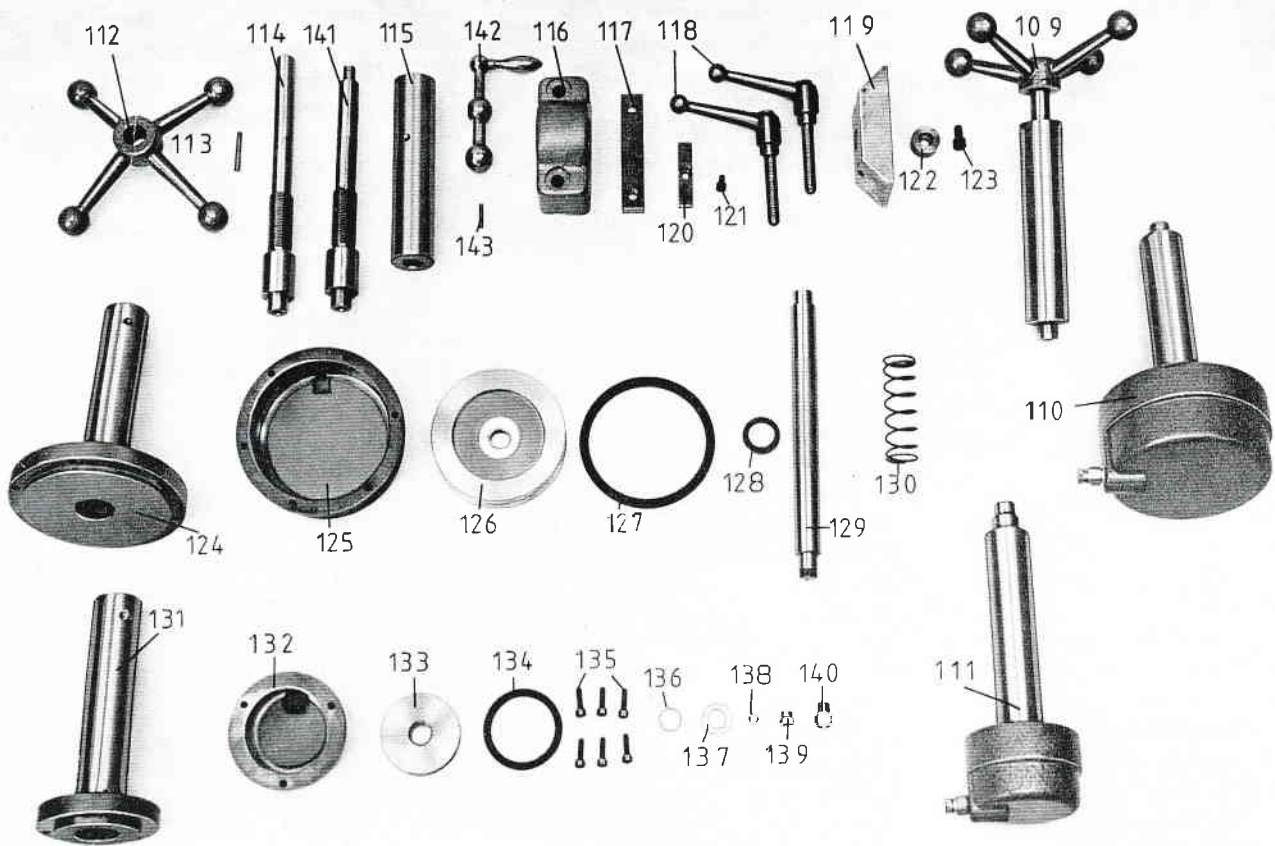


Parts List for Metal Circular Sawing Machine

BROBO SUPER 325 HL4, H325







Parts List for Metal Circular Sawing Machine

1 Machine base	64 Hexagon head screw	128 Stripper
2 Coolant tank	65 Hexagon head screw	129 Piston rod
3 Elbow hose nipple	66 Socket head cap screw	130 Compression spring
4 Filter, removable	67 Grower	131 Piston guide, 70 mm dia.
5 Dashboard	68 Clamping table	126 Piston, 125 mm dia.
6 Hexagon head screw	69 Rotary attachment	132 Cylinder, 70 mm dia.
7 Guide rail	70 Left-hand fixing	133 Piston, 70 mm dia.
8 Hexagon head screw	71 Right-hand fixing	134 Cuff, 70 mm dia
9 Strainer	72 Additional jaw	135 Socket head cap screw
10 Stop-cock complete	73 Socket head cap screw	136 Sealing ring
11 Drain plug	74 Washer	137 Nut
12 Gearbox	75 Bearing cover plate	138 Cutter ring
13 Retaining clip for pump	76 Interios cover plate	139 Screw cap
14 Conducting cable	77 Guide sleeve	140 Nipple ¼"
15 Motor cable	78 Locating plug	141 Bearing
16 Circuit element	79 Washer	142 Clamping lever
17 Front panel	80 Socket head cap screw	143 Holding
18 Motor switch	81 Socket head cap screw	144 Filter lubricator unit (Wilkerson)
19 Oil sight glass	82 Socket head cap screw	145 Spare glass for lubricator (Wilkerson)
20 Coolant line, short	83 Socket head cap screw	146 Spare glass for water separator (Wilkerson)
21 Coolant line, long	84 Grower	147 Stop-cock box
22 Motor	85 Screw	148 Socket
23 Set operation keys	86 Screw	149 Nipple
24 Gearbox handle	87 Oil seal	150 Manometer R ⅛"
25 Grease gun	88 Fastening plate	151 Valve D1-B
26 Socket head cap screw	89 Sawblade guard	152 Nipple assembly
27 Top cover plate	90 Safety guard	153 Sound absorber
28 Filler plug	91 Blocking pin	154 Threaded pipe angle assembly
29 Hand lever	92 Fishplate	155 Elbow grease gun nipple
30 Plastic knob	93 Angle strap for linkage	156 Socket head cap screw
31 Screw-type conduit fitting	94 Strap for guard linkage	157 Sealing ring
32 Socket head cap screw	95 Hexagon head screw	158 Sealing ring
33 Nut	96 Cup spring	159 Sight glass for lubricator (Wilkerson)
34 Screw	97 Screw	160 Nylon hose, valve to lubricator
35 Pump	98 Safety nut	161 Nylon hose, valve to clamping device
36 Socket head cap screw	99 Cup spring	162 Slot nut
37 Ball bearing 16010	100 Knurled nut	163 Junction screwing
38 Coupling half for gear	101 Hexagon nut	164 Screw
39 Rubber pad	102 Socket hand screw	165 Nylon hose, lubricator to junction screwing
40 Coupling half for motor	103 Countersunk screw	166 Base pivot handle
41 Guard ring	104 Guide bolt	167 Quick action nut
42 Taper roller bearing 30206	105 Compression spring	168 Plastic knob
43 Worm shaft	106 Socket head cap screw	169 Vice nut
44 Taper roller bearing 30204	107 Socket head cap screw	170 Compression spring
45 Cover plate	108 Grower	171 Tension pin
46 Counterbalance plate	109 Spindle sleeve, hand clamping	172 Tension pin
47 Wormwheel	110 Spindle sleeve, air clamping, 125 mm dia.	173 Countersunk screw
48 Socket head cap screw	111 Spindle sleeve, air clamping, 70 mm dia.	174 Mounting plate
49 Main spindle	112 Star handle	175 Vice screw
50 Retainer	113 Tapered pin	176 Tension pin
51 Socket head cap screw	114 Spindle	177 Star handle
52 Cover plate	115 Spindle sleeve	178 Vice guide key
53 Oil seal	116 bearing	179 Vice block
54 Sawblade counter-plate	117 Slot nut	180 Socket head cap screw
55 Left-hand screw M 16	118 Clamping lever	181 Vice guide bar
56 Grease nipple	119 Jaw	182 Vice jaw casting
57 Socket head cap screw	120 Vice guide key	183 Screw
58 Grower	121 Socket head cap screw	184 Vice plate
59 Socket head cap screw	122 Thrust piece	185 Screw
60 Bearing bracket	123 Socket head cap screw	186 Filter lubricator Norgren Enots
61 Pivot shaft	124 Piston guide, 125 mm dia.	187 Sight glass for lubricator Norgren Enots
62 Conical screw	125 Cylinder, 125 mm dia.	188 Spare glass for lubricator Norgren Enots
63 Grub screw	127 Cuff, 125 mm dia.	189 Spare glass for water separator Norgren Enots
		190 Ball cock

When ordering spare parts, please state exactly number and type of machine.