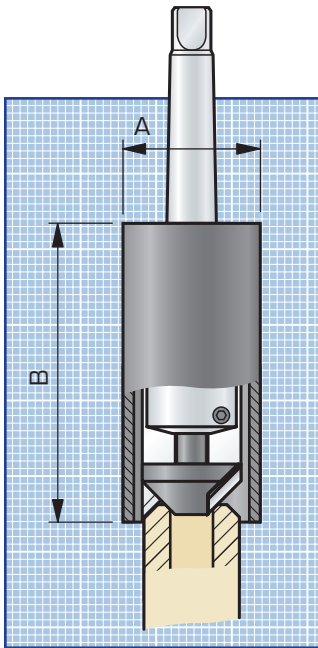
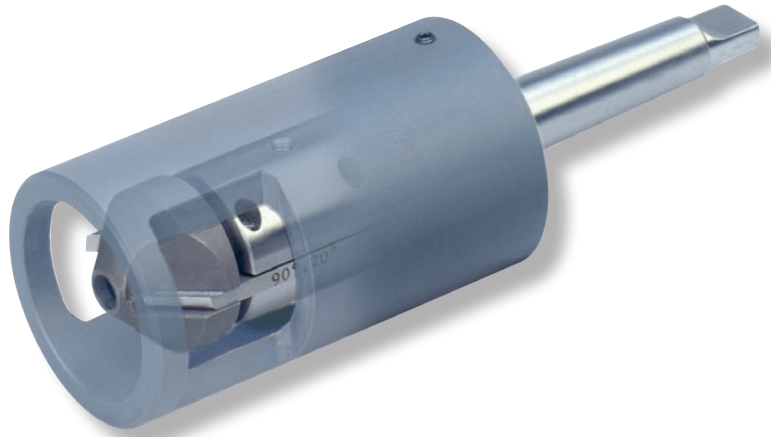
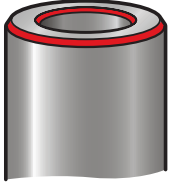


KOPAL TUBE

Simultaneously chamfers
the **Inside and Outside**
of tube ends



Model	Ø A	B
K 1	46	90
K 2	58	105
K 3	61	110
K 4	67	112
K 5	82	120

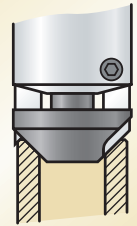
Blades replacement KOPAL TUBE

Model 90°	Ref.
K 1 Inter.	04-300
K 1 Exter.	04-310
K 2 to K 5 Inner	04-320
K 2 to K 5 Outer	04-330

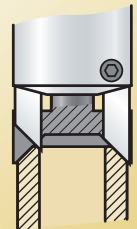
Use

These units are supplied with 2 removable pilot cones

Larger inner chamfer than outer chamfer.
Use the inner cone to centre the workpiece.



Larger outer chamfer than inner chamfer.
Use the outer cone to centre the workpiece.



Diameter of the chamfering		Model	Attachment	
Inner	Outer		CM 2 Ref.	Ø 12.7 Ref.
12 to 24	14 to 24	K 1	04-050	04-060
15 to 27	18 to 30	K 2	04-070	04-080
20 to 30	24 to 36	K 3	04-090	04-100
29 to 40	34 to 45	K 4	04-110	04-120
40 to 48	46 to 56	K 5	04-130	04-140

The angles of the inner and outer chamfer tip are 90°.



The blades can be adjusted independently so the chamfers can therefore have different values. The HSS blades are sharpened with cutting angles of: 14° and 20°, to be specified on ordering.

Reversible blade
(2 cutting edges)
on all models.

